



POWER SUPPLY 雅睿普电子



TM-U600S 系列概述

一. 电源规格:

电源型号 (MODEL)	输入 (VAC)	输出 (VDC)	保护功能 (PROTECTION)	尺寸 (SIZE) MM
TM-U600S5	100~240VAC	5V/80A	SCP/OCP/OVP/OTP	225mm×115mm×40.5mm
TM-U600S12	100~240VAC	12V/50A	SCP/OCP/OVP/OTP	225mm×115mm×40.5mm
TM-U600S15	100~240VAC	15V/40A	SCP/OCP/OVP/OTP	225mm×115mm×40.5mm
TM-U600S24	100~240VAC	24V/25A	SCP/OCP/OVP/OTP	225mm×115mm×40.5mm
TM-U600S28	100~240VAC	28V/22A	SCP/OCP/OVP/OTP	225mm×115mm×40.5mm
TM-U600S36	100~240VAC	36V/17A	SCP/OCP/OVP/OTP	225mm×115mm×40.5mm
TM-U600S48	100~240VAC	48V/12.5A	SCP/OCP/OVP/OTP	225mm×115mm×40.5mm

二. 系列特征:

Features:**AC input 100~240VAC only;****Built in active PFC;****PF > 0.96 @100~240 VAC, full load;****Built-in EMI filter;****Protections: SCP /OCP/ OVP/OTP;****High reliability, high efficiency;****Efficiency up to 92%(type);****1U low profile 40.5mm;****DC OK Signal;****Built-in remote sense function;****All using 105°C long life electrolytic Capacitors;****Forced air cooling by built-in DC fan speed control function****100% full load burn-in test;****3years warranty.**



三. 产品外观:

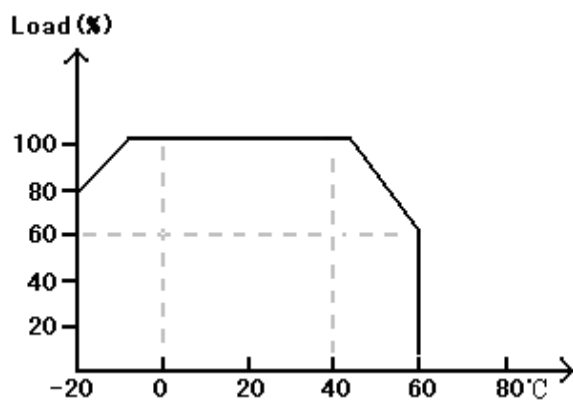


(Note: photos are for reference only)

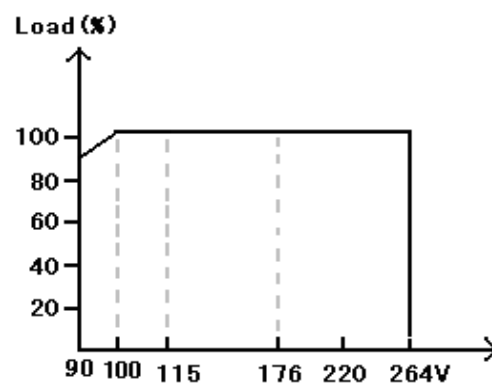
net weight: 1020g/PCS

四. 工作温度, 输出功率曲线以及负载曲线图:

Temperature- load curve



Input voltage- load curve



五. 测试标准:

EMC DATA:

1、 EMI

RE/CE	EN55022 CLASS A
Harmonics Current	EN61000-3-2

2、 EMS

ESD	EN61000-4-2	Air:8KV Contact:4KV	Criteria A
RS	EN61000-4-3	80MHz~1GHz 3V/m	Criteria A
EFT	EN61000-4-4	5KHz AC=1KV	Criteria A
Surge Test	EN61000-4-5	1.2/50us AC:±2KV 8/50us	Criteria A
CS	EN61000-4-6	0.15MHz-80MHz 3V/m	Criteria A
Voltage dips	EN61000-4-8	30% 10ms 60% 100ms >95% 5000ms	Criteria A
Power Frequency Magnetic Field	EN61000-4-11	50Hz 30A/m	Criteria A

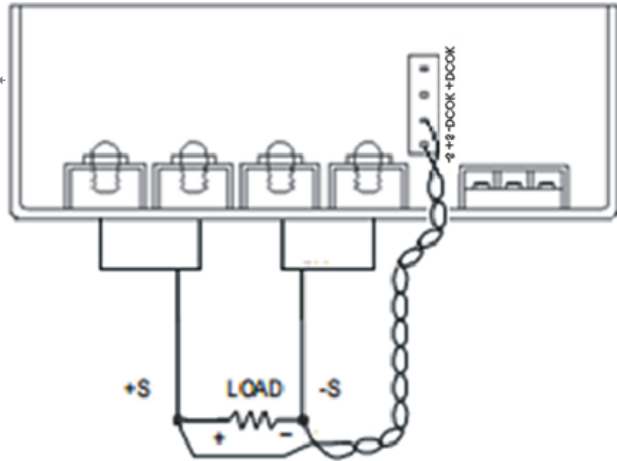


RF Electromagnetic Field pulse modulated	ENV50204	900±5MHz 200Hz 3V/m, 50%Duty cycle	Criteria A
--	----------	---------------------------------------	------------

六. 安装尺寸:

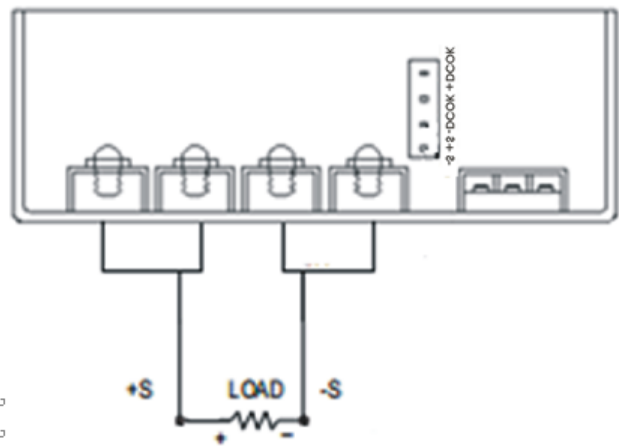
Remote Sense

The remote sensing compensates voltage drop on the load wiring up to 0.5V



DC-OK signal

DC-OK is an open collector signal.
 It indicates the output status of the PSU.
 It can operate in two ways: One is sinking current from external TTL signal.
 The other is sending out a ttl voltage signal.



Sink current:

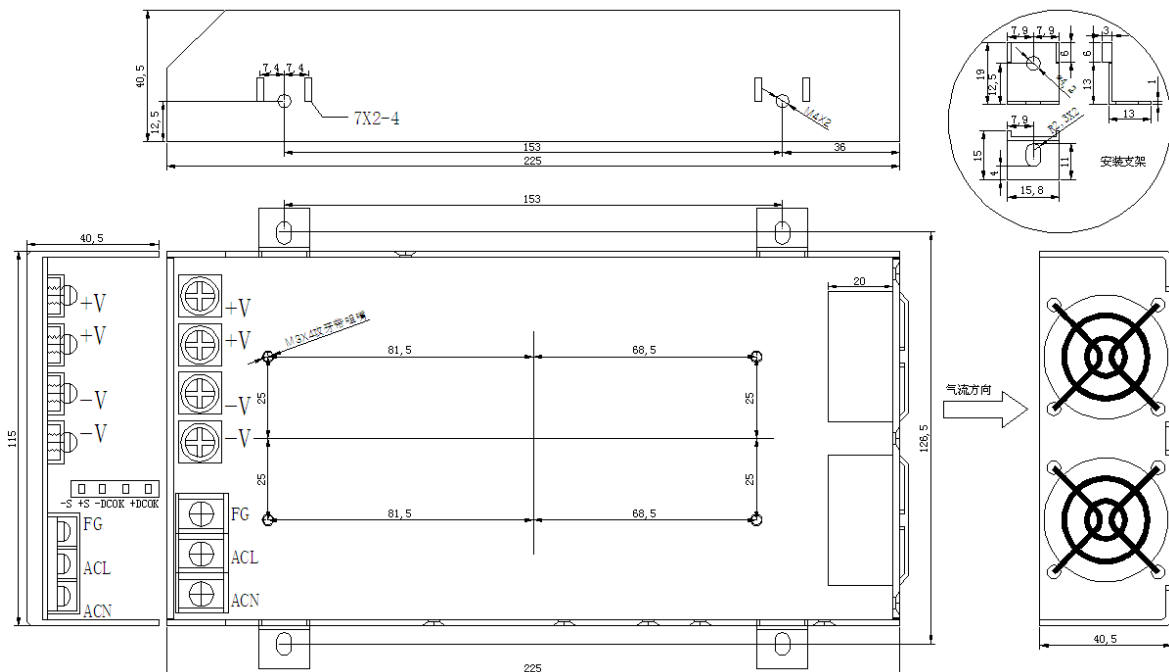
The maximum sink current is 10mA and the maximum external voltage is 5.6V.

TTL voltage signal:

Between DC-OK and GND	Output Status
3.3-5.6V	PSU ON
0-1.0V	PSU OFF

build in dimension

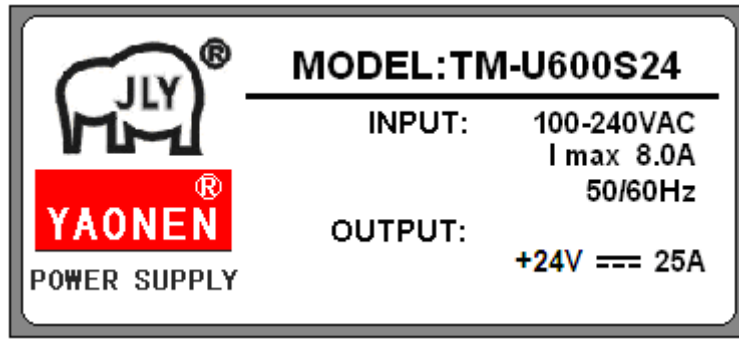
unit: mm





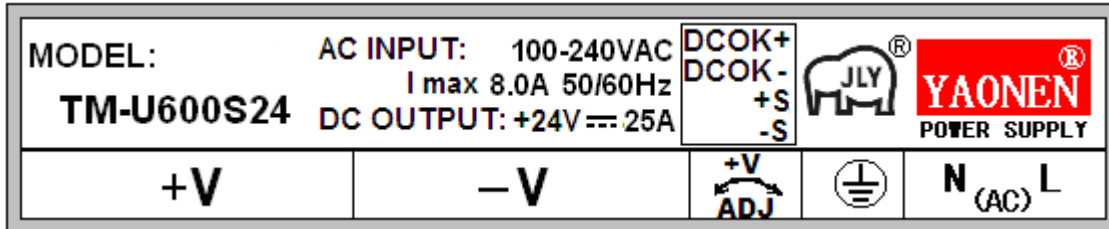
七. 标签:

Spec Label



(48*25)

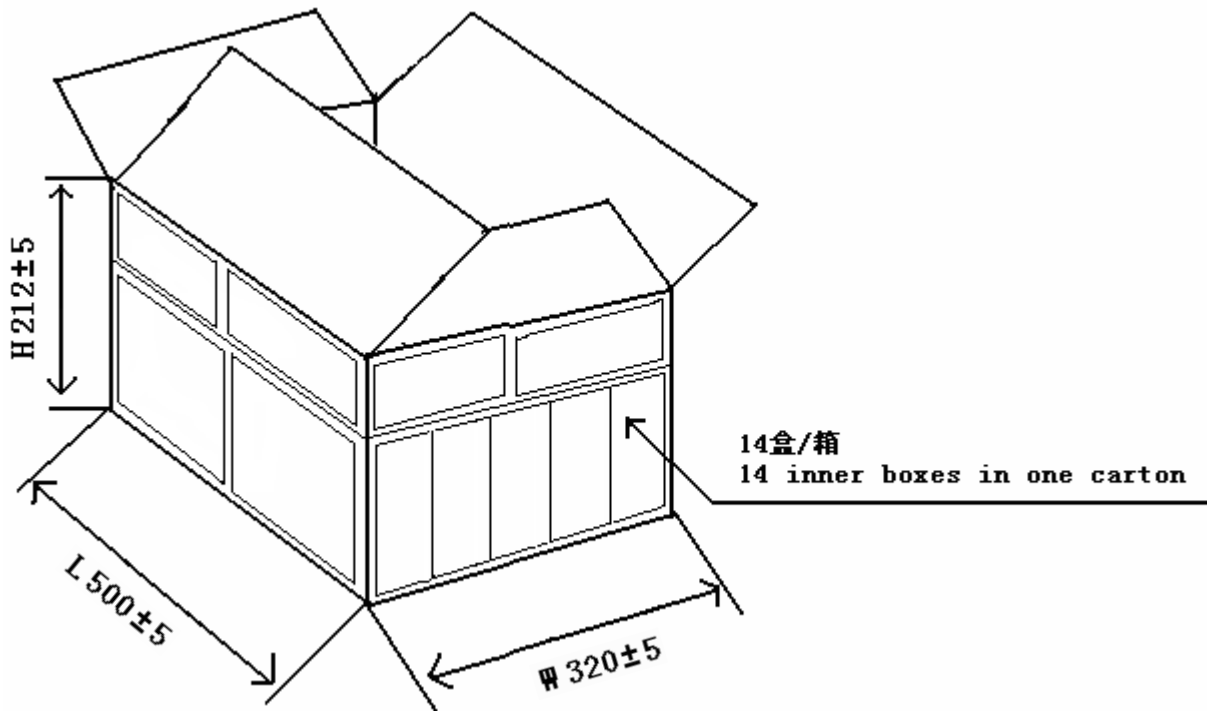
Connection



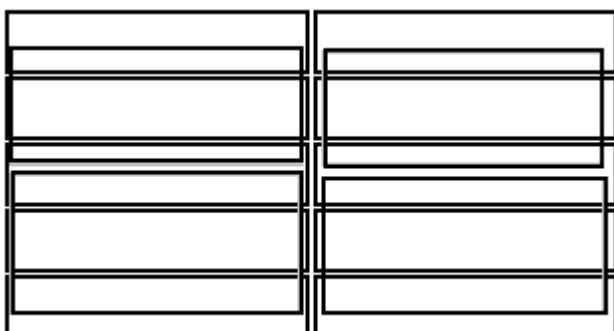
(105*22)

八. 包装:

Packing unit: mm



Inner Box plane



solid

