



UM-U100D 系列概述

一. 电源规格:

电源型号 (MODEL)	输入 (VAC)	输出 (VDC)	保护功能 (PROTECTION)	尺寸 (SIZE) MM
UM-U100D12+30	100~240VAC	12V/6.0A; 30V/1.0A	SCP/OCP/OVP/OTP	127MM*83MM*40MM
UM-U100D12+5R	100~240VAC	12V/7.0A; 5V/3.0A	SCP/OCP/OVP/OTP	127MM*83MM*40MM
UM-U100D24+12R	100~240VAC	24V/4.0A; 12V/1.0A	SCP/OCP/OVP/OTP	127MM*83MM*40MM
UM-U100D24+5R	100~240VAC	24V/4.0A; 5V/3.0A	SCP/OCP/OVP/OTP	127MM*83MM*40MM
UM-U100D28+5R	100~240VAC	28V/3.5A; 5V/1.0A	SCP/OCP/OVP/OTP	127MM*83MM*40MM
UM-U100D35+18R	100~240VAC	35V/2.0A; 18V/2.0A	SCP/OCP/OVP/OTP	127MM*83MM*40MM
UM-U100D48+12	100~240VAC	48V/2.0A; 12V/1.5A	SCP/OCP/OVP/OTP	127MM*83MM*40MM
UM-U100D48+28	100~240VAC	48V/2.0A; 28V/1.0A	SCP/OCP/OVP/OTP	127MM*83MM*40MM

二. 系列特征:

- Universal AC input / Full range
- U shell Compact size
- Protections: SCP / OCP / OVP / TOP
- All using 105℃ long life electrolytic capacitors
- High efficiency, high reliability
- Cooling by free air convection
- 100% full load burn-in test
- 3 years warranty

三. 产品外观



(图片仅供参考)

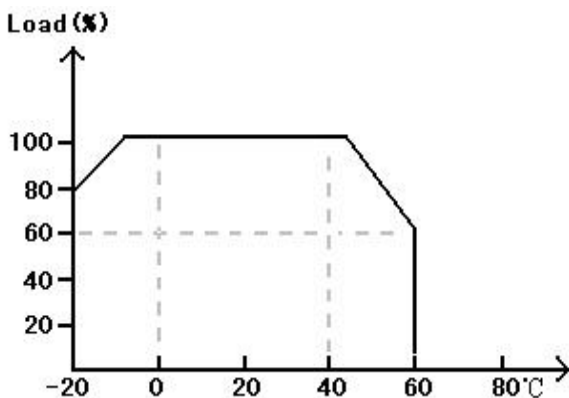
net weight: 500g

Connector: Input:7.5MM-2P(十字头) green terminal block

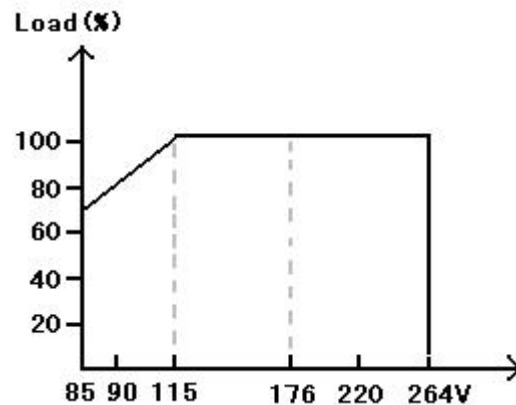
Output:7.5MM-2P(十字头) green terminal block

四. 工作温度、输出功率曲线以及负载曲线图:

Temperature- load curve



Input voltage- load curve



五. 测试标准:

EMC DATA:

1、 EMI

RE/CE	EN55022 CLASS A
Harmonics Current	EN61000-3-2

2、 EMS

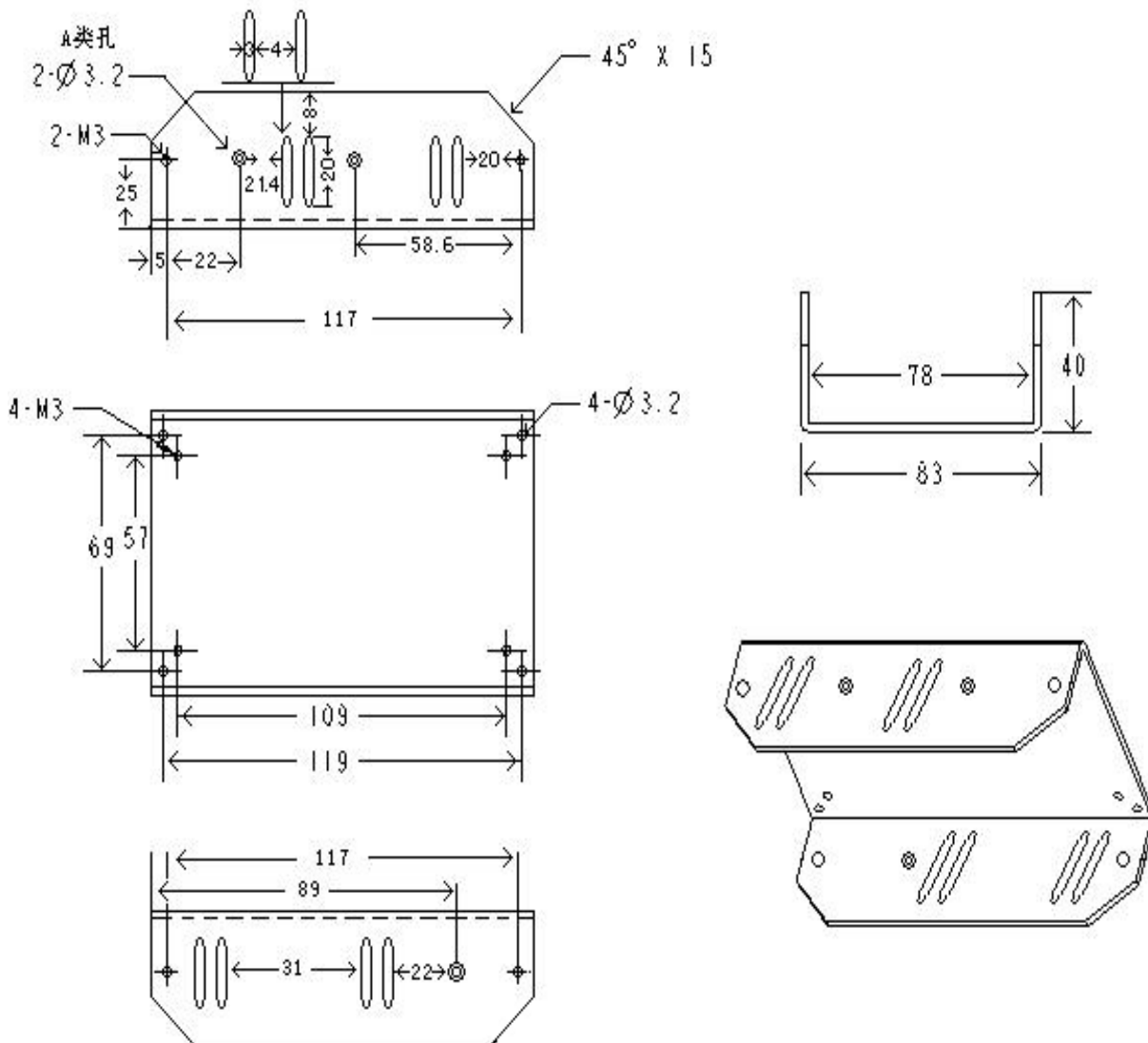
ESD	EN61000-4-2	Air:8KV Contact:4KV	Criteria A
RS	EN61000-4-3	80MHz~1GHz 3V/m	Criteria A
EFT	EN61000-4-4	5KHz AC=1KV	Criteria A

Surge Test	EN61000-4-5	1.2/50us AC: ±2KV 8/50us	Criteria A
CS	EN61000-4-6	0.15MHz-80MHz 3V/m	Criteria A
Voltage dips	EN61000-4-8	30% 10ms 60% 100ms >95% 5000ms	Criteria A
Power Frequency Magnetic Field	EN61000-4-11	50Hz 30A/m	Criteria A
RF Electromagnetic Field pulse modulated	ENV50204	900±5MHz 200Hz 3V/m, 50%Duty cycle	Criteria A

六. 安装尺寸

build in dimension

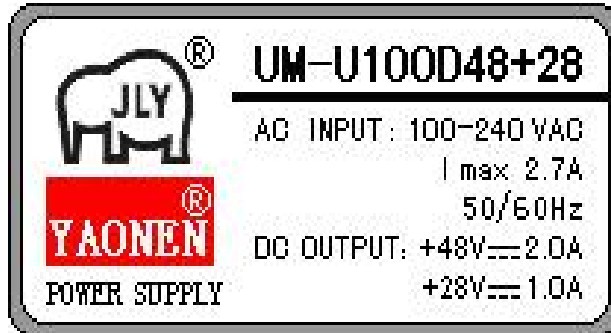
unit: mm



七. 标签:

MODEL: UM-U100D48+28

Spec Label

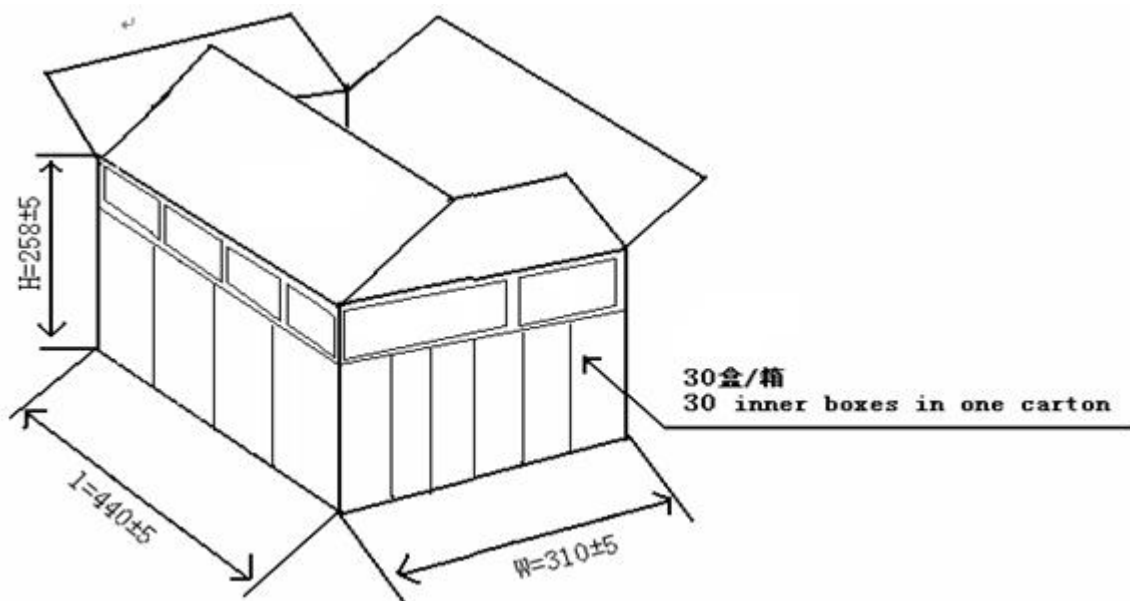


Connector define

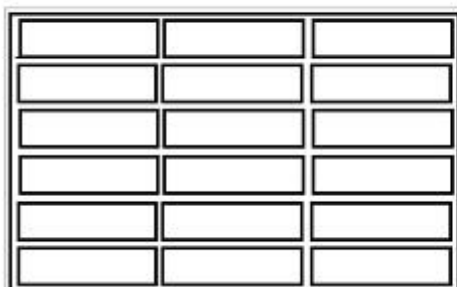


Packing

unit: mm



Inner Box plane



solid

