



## UM-U400S 系列概述

### 一. 电源规格:

电源型号 (MODEL)	输入 (VAC)	输出 (VDC)	保护功能 (PROTECTION)	尺寸 (SIZE) MM
UM-U400S12	100~240VAC	12V/29A	SCP/OCP/OVP/OTP	127MM*83MM*40MM
UM-U400S15	100~240VAC	15V/27A	SCP/OCP/OVP/OTP	127MM*83MM*40MM
UM-U400S18	100~240VAC	18V/22A	SCP/OCP/OVP/OTP	127MM*83MM*40MM
UM-U400S24	100~240VAC	24V/17A	SCP/OCP/OVP/OTP	127MM*83MM*40MM
UM-U400S28	100~240VAC	28V/13A	SCP/OCP/OVP/OTP	127MM*83MM*40MM
UM-U400S36	100~240VAC	36V/11A	SCP/OCP/OVP/OTP	127MM*83MM*40MM
UM-U400S48	100~240VAC	48V/8.5A	SCP/OCP/OVP/OTP	127MM*83MM*40MM

### 二. 系列特征:

- Universal AC input/Full range
- Built-in Active PFC
- PF: >0.98@230VAC; >0.99@110VAC full load
- Soft switch technology, the efficiency > 90% @230VAC (type)
- Protections:SCP/OCP/OVP/OTP
- Small volume, base plate, U type shell
- Low cost,high reliability,high efficiency
- <200W Free air convection, >200W 40CFM forced air cooling by DC FAN
- 100%full load bum-in test
- 3 years warranty

### 三. 产品外观



(图片仅供参考)

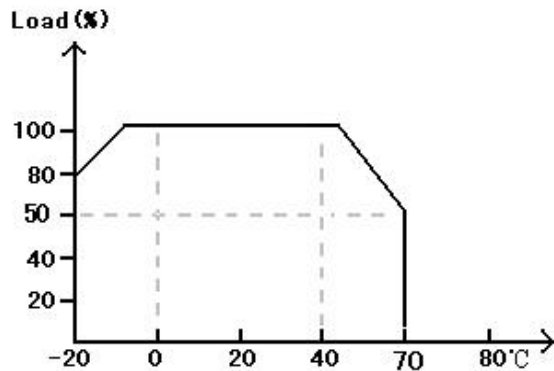
**Net weight: 550g**

**Connector: Input:3.96MM-3P2A pitch terminal block**

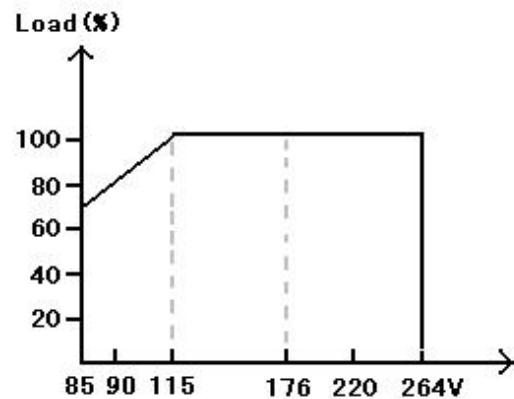
**Output:6.3MM×0.8 Welding insert**

### 四. 工作温度、输出功率曲线以及负载曲线图：

**Temperature- load curve**



**Input voltage- load curve**



### 五. 测试标准：

## EMC DATA:

#### 1、 EMI

RE/CE	EN55022	CLASS A
Harmonics Current	EN61000-3-2	

#### 2、 EMS

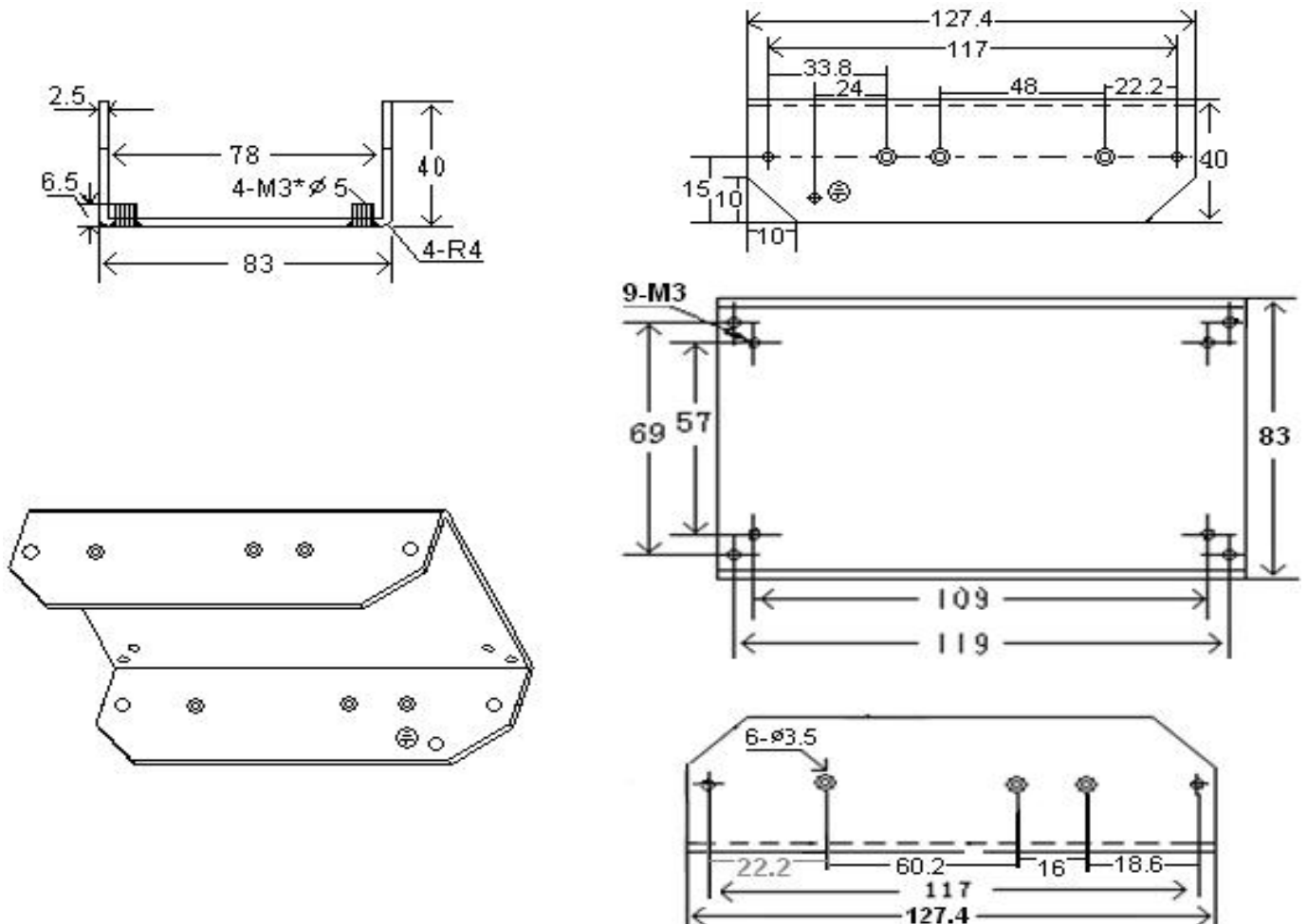
ESD	EN61000-4-2	Air:8KV Contact:4KV	Criteria A
RS	EN61000-4-3	80MHz~1GHz 3V/m	Criteria A

EFT	EN61000-4-4	5KHz AC=1KV	Criteria A
Surge Test	EN61000-4-5	1.2/50us AC: ±2KV 8/50us	Criteria A
CS	EN61000-4-6	0.15MHz-80MHz 3V/m	Criteria A
Voltage dips	EN61000-4-8	30% 10ms 60% 100ms >95% 5000ms	Criteria A
Power Frequency Magnetic Field	EN61000-4-11	50Hz 30A/m	Criteria A
RF Electromagnetic Field pulse modulated	ENV50204	900±5MHz 200Hz 3V/m, 50%Duty cycle	Criteria A

## 六. 安装尺寸

build in dimension

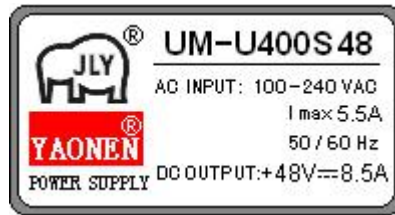
unit: mm



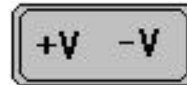
七. 标签:

**MODEL: UM-U400S48**

Spec Label



Connector define



八. 包装:

Packing unit: mm

